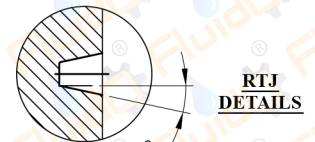
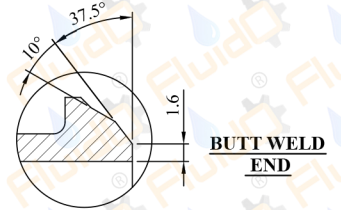
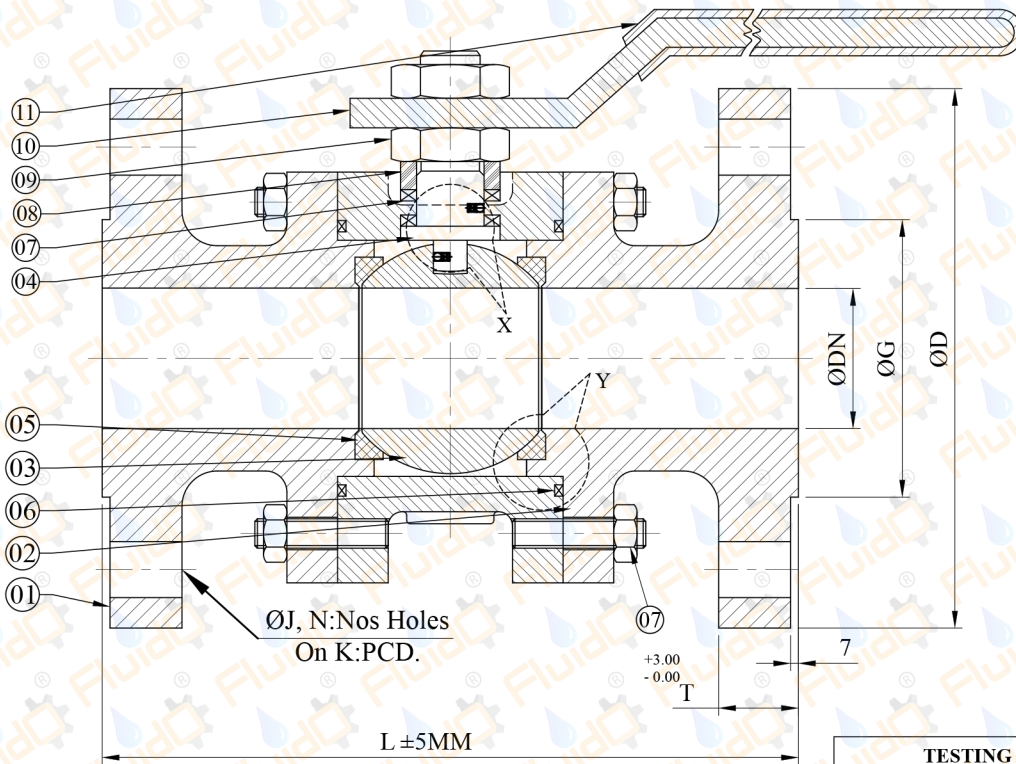




3PC. FB, LEVER OPERATION 600# / 900# BALL VALVES

No.	Description	Material
1	Body	ASTM A 216 Gr.WCB / LCB / CD4MCU / CN7M /
2	Side Piece	DUPLEX / ASTM A 351 Gr.CF8/CF8M/CF3/CF3M
3	Ball	AISI 304 / 316 / 304L / 316L / CF8 / CF8M /
4	Stem	ASTM A 105/WCB+HARD CROME / CF3 / CF3M /
5	Ball Seat	CD4MCU / CN7M / DUPLEX / CA15
6	Body Seal	AISI 304 / 316 / 304L / 316L
7	Body Seal	PTFE / R-PTFE / PEEK / DEVLON / GFT / CARBON FILLED
8	Gland Seal	PTFE / R-PTFE / PEEK / DEVLON / GFT / CARBON FILLED
9	Gland Nut	C.S. / AISI 304 / 316 / 304L / 316L
10	Lever	C.S. / S.S.304 / S.S.316
11	Sleeve	PVC
12	Name Plate	S.S. (NOT SHOWN)

STANDARD	
DESIGN MFG. STD.	API 6D / BS EN 17292
INSP. & TESTING	API 598 / BS 6755 (I)
FIRE SAFE DESIGN	API 607
FACE TO FACE	API 6D / ANSI B 16.10
END CONNECTION	FALNGED ENDS B 16.5 R/F / RTJ
	ASME B16.5 RF 600# / 900#
BUTTWELD END	ASME B16.25
OPERATING	LEVER OPERATING



DETAIL - Y



DETAIL - X

SECTIONAL ELEVATION

TESTING STANDARD : API 598 / BS 6755 (I)			
600# PRESSURE RATING		900# PRESSURE RATING	
BODY	157 Kg/Cm ²	BODY	236 Kg/Cm ²
SEAT	117 Kg/Cm ²	SEAT	173 Kg/Cm ²
AIR SEAT	07 Kg/Cm ²	AIR SEAT	07 Kg/Cm ²

ALL DIMENSION ARE IN MM 600#								
SR.NO.	SIZE	FACE TO FACE (L)	FLANGE O.D. (D)	RAISED FACE DIA. (G)	FLANGE THK. (T)	NO. OF HOLES (X)	HOLE DIA. (Y)	P.C.D. (Z)
01	2"	50	292	165	92	08	19.0	127.0
02	2.1/2"	65	330	190	105	08	22.2	149.2
03	3"	80	356	210	127	08	22.2	168.3
04	4"	100	432	273	157	08	25.4	216.0
05	5"	125	508	330	186	08	28.6	266.7
06	6"	150	559	356	216	12	28.6	292.0
07	8"	200	660	419	270	12	32.0	349.3
08	10"	250	787	508	324	16	35.0	431.8

ALL DIMENSION ARE IN MM 900#								
SR.NO.	SIZE	FACE TO FACE (L)	FLANGE O.D. (D)	RAISED FACE DIA. (G)	FLANGE THK. (T)	NO. OF HOLES (X)	HOLE DIA. (Y)	P.C.D. (Z)
01	2"	50	368	216	92	08	25.4	165.0
02	2.1/2"	65	419	244	105	08	28.6	149.2
03	3"	80	381	241	127	08	25.4	190.5
04	4"	100	457	292	157	08	32.0	235.0
05	5"	125	559	349	186	08	35.0	279.4
06	6"	150	610	381	216	12	32.0	317.5
07	8"	200	737	470	270	12	38.0	393.7
08	10"	250	838	546	324	16	38.0	470.0

Client :- _____
 Order / Enq. No. :- _____
 Job / Project :- _____

Office : Plot No-2, Shayona Ind. Estate, Nr. Panchratna Ind. Estate, Vatva GIDC Phase-IV, Ahmedabad-382445, Gujarat, India.
 Factory : Plot no-14/1A, Panchratna Ind. Estate, Vatva GIDC Phase-IV, Ahmedabad-382445, Gujarat, India.
 EMAIL: INFO@FLUIDOMECH.COM/URL:WWW.FLUIDOMECHVALVES.COM. URL: WWW.FLUIDOMECH.COM